

SMR 6206 TS J

Thru Beam

Standard, Photoelectric Sensors

Compatible Transmitter:

SMT 6000 TS J




Product Data	
Function:	Receiver
Supply Voltage:	10 - 32 V dc
Light Source:	-
Housing Material:	Stainless Steel
Housing:	M12 x 1
Control Feature:	-
Connection:	4 pin, M12 plug
Sensing Range:	6 m
Output:	PNP
Output Status:	N.C.
Operation Mode:	Thru Beam

Technical Data	
Supply Voltage:	10 - 32 V dc
Voltage Ripple:	15 %
Reverse Polarity Protected:	Yes
Short Circuit Protected:	Yes
Current Consumption:	Max. 320 mW
Max. Output Load:	100 mA
Max. Residual Voltage:	2,5 V
Max. Operation Frequency:	100 Hz
Power On Indicator:	-
Output Indicator:	Yellow LED
Hysteresis:	Approx. 30 %
Light Source:	-
Opening Angle:	+/- 6°
Emission Angle:	-
Cable:	3/4 x 0,14 mm ²

Response Time ton / toff:	5 ms / 5 ms
Housing Material Sensor Housing:	Stainless Steel (AISI 316 / 1.4401)
Housing Material Lens Cover:	Polycarbonate
Cable Sleeve:	PVC Ø 4,0 mm
Test Input:	-
Control Input:	-

Environmental Data	
Vibration:	10 - 55 Hz, 0.5 mm
Shock:	30 g
Operation Temperature:	-20 to +60 °C
Storage Temperature:	-40 to +80 °C
Sealing Class:	IP 67
Light Immunity 5°:	> 50 000 lux


Approvals



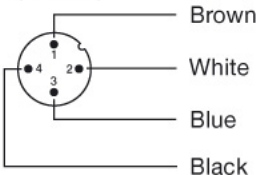
Connections

4 pin, M12

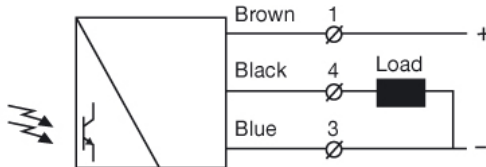
Sensor Plug
(Male)



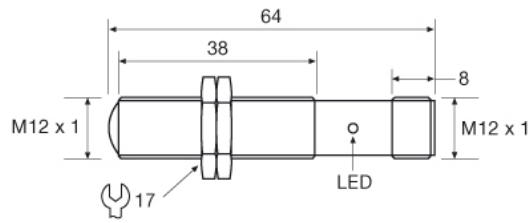
Cable Plug
(Female)



Wiring Diagram

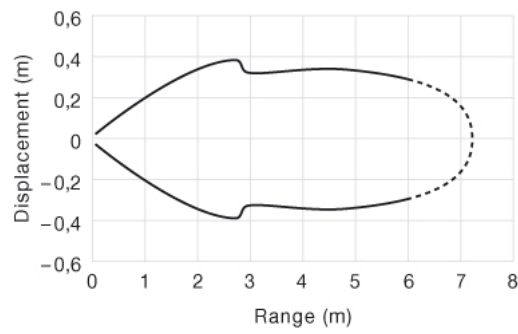


Dimensions

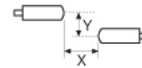


Sensing Characteristics

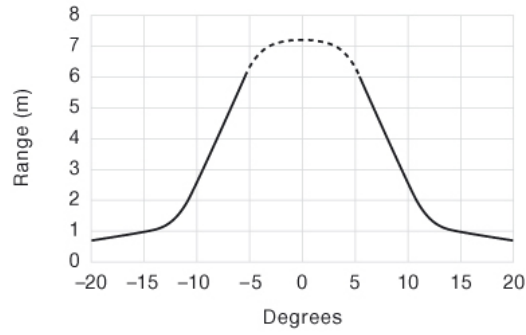
Parallel Displacement



SMT 6000 and SMR 6x06



Angular Displacement



SMR 6x06

